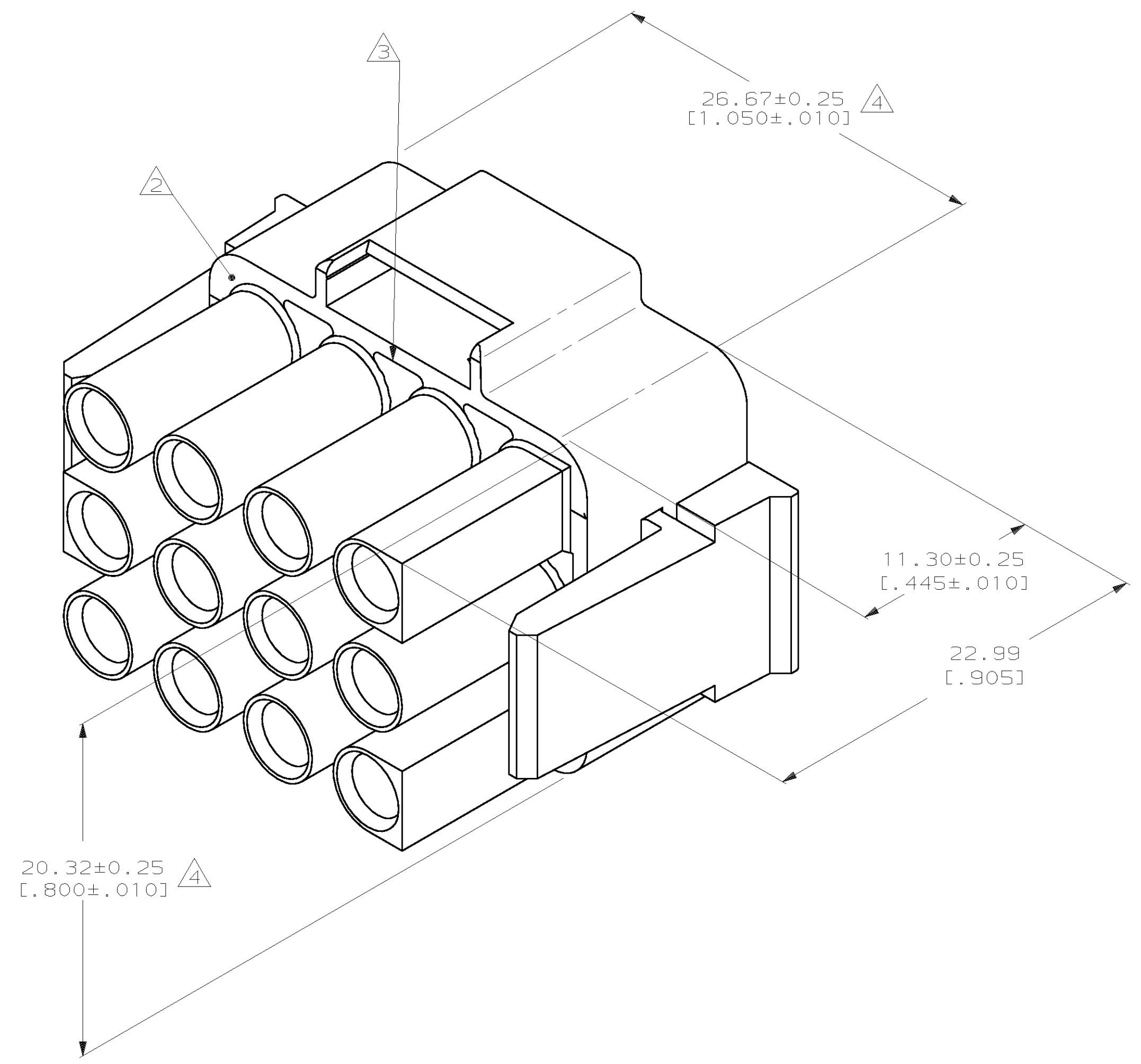


LOC		DIST		REVOLUTIONS		REVISIONS			
CM	53	P	F	ZONE	LTR	DESCRIPTION	DATE	APPD	
						G	REV PER EC 0L30-0036-97	3-17-97	JH RS

- MUST BE ASSEMBLED WITH PLUG REAR P/N 770042-1 BEFORE MATING. KIT P/N IS 770022-1.
- AMP LOGO LOCATED THIS SURFACE.
- NEW MOLD CONSTRUCTION PROVIDES MATERIAL REDUCTION CORING AT BASE OF SILOS WITH NO CORING AS OPTIONAL.
- DIMENSION INDICATED IS AS MOLDED. ADDITIONAL GROWTH DUE TO SUBSEQUENT MOISTURE ABSORPTION MAY OCCUR.
- DIMENSIONS IN BRACKETS ARE IN INCHES.



770041-1
PART NUMBER



DO NOT SCALE PRINT. UNLESS SPECIFIED DIMENSIONS IN mm TOLERANCES ON:		DR 1-15-92 K. SALMON		AMP INCORPORATED Harrisburg, Pa. 17105	
1-15-92 R. SWING		CHK 1-15-92 R. SWING			
2-PLC DEC ± 0.13 [.005]		APPD 1-16-92 M. TRULL		NAME	
ANGLES ±		APPD 1-16-92 M. TRULL		PLUG FRONT, 12 CIRCUIT, UNIVERSAL MATE-N-LOK™ II	
MATERIAL		PRODUCT SPEC			
NYLON, UL94V-0,		APPLICATION SPEC		SIZE	FSCM NO
FINISH		WEIGHT		D	00779
				SCALE	DRAWING NO
				5:1	770041
					SHEET
					1 OF 1